



USE ENERGY, STORE IT, OR FEED IT INTO THE GRID, IT IS NOW POSSIBLE WITH X-HYBRID.

Achieve your independence from traditional power providers considering the intelligent SolaX Hybrid Series with charger.

As we know, solar panels generate the most energy during the day when the sun is shining and when you and your family tend to use the least energy or have the lowest consumption levels.

With ongoing increases in energy prices and the continual decrease of the feed-in-tariff, you must make the most out of your solar energy. Our X-Hybrid 'Self-use Energy Storage System' is the perfect solution to solve this problem and to get the most out of your solar energy both today and into the future. Our Hybrid solution makes it possible to utilise solar power time-independently by storing unused capacity. It converts and directs solar power to where it is needed, when it is needed.



SK-TL3000 / SK-TL3700 / SK-TL5000

Hybrid Ready Inverter

SK-TL3000 / SK-TL3700 / SK-TL5000

Prepare for energy independence by using this premium quality hybrid ready grid connect inverter. This unit gives you the opportunity to monitor property loads over time and evaluate your energy usage patterns. It can then be simply upgraded later to an energy storage system by adding 1-4 solax battery manager units and your battery bank.



SK-SU3000 / SK-SU3700 / SK-SU5000 WITH CHARGER

Self-Use Hybrid Inverter

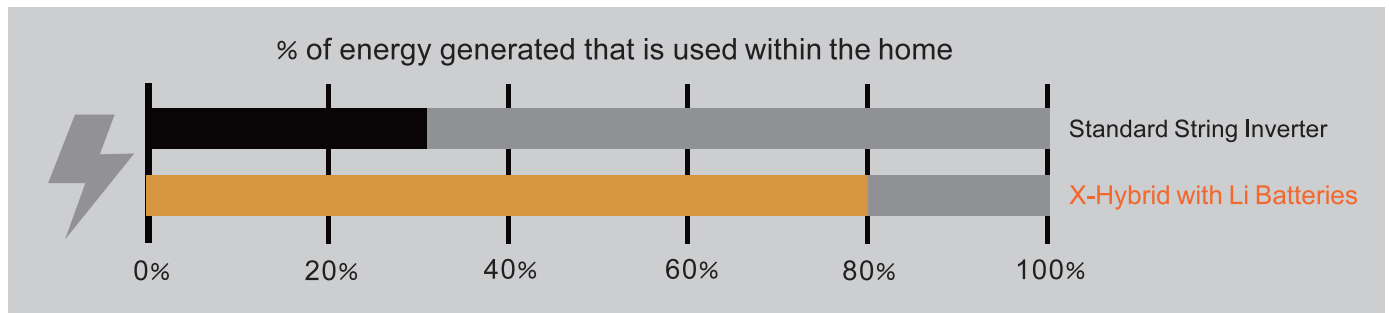
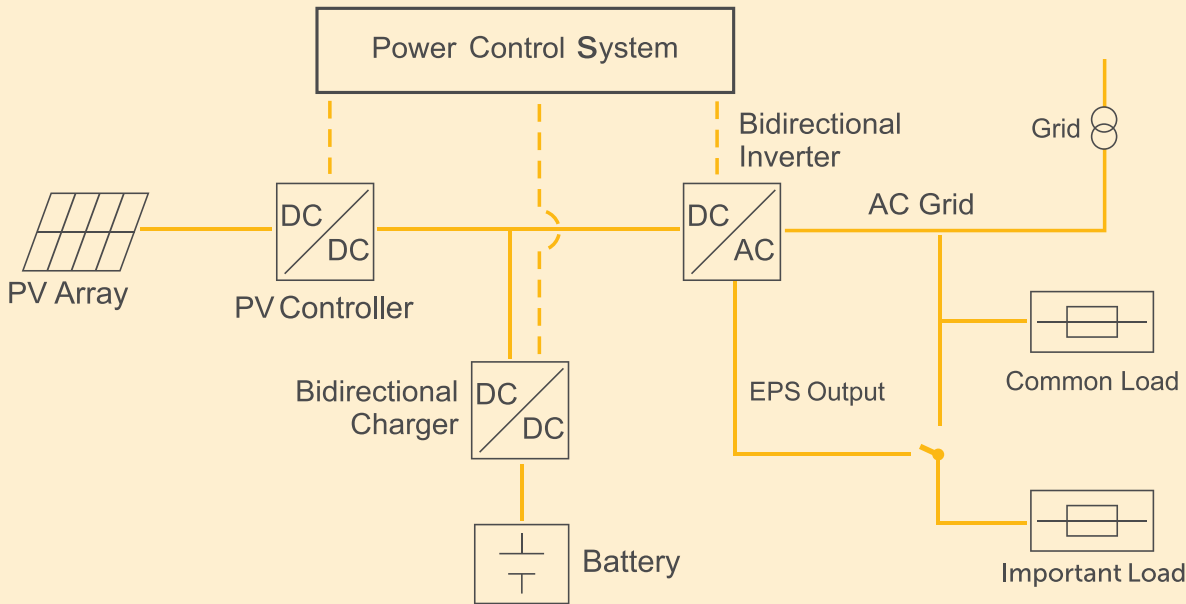
SK-SU3000 / SK-SU3700 / SK-SU5000

The SU series of hybrid inverter includes 1 built-in battery manager unit and solar MPPT. This unit is extremely flexible and can be simply upgraded to support multiple battery banks by adding additional battery manager units. This intelligent hybrid inverter provides a full solution for energy consumers to maximize the use of their generated solar energy to minimize their energy bills.

HYBRID WORKING THEORY

X-Hybrid Self-use Energy Storage System converts DC electricity generated by solar panels to AC electricity for grid and load to DC for the battery.

The electricity will be provided for load first, and the excessive electricity will be stored in the battery, after the battery is fully charged, the electricity will be fed into the grid.



X-HYBRID ADVANTAGES

COMPARED TO TRADITIONAL GRID-TIED SOLAR SYSTEM

- Save money on your power bills by increasing the proportion of self-use electricity generated by your solar system from 30% to more than 80%.
- Save money by becoming independent from ever increasing energy prices.
- Reduce stress on the grid by reducing your solar power feed.
- Manage property consumption and generation remotely via built-in CT & WIFI monitoring solution.

COMPARED TO OTHER BRANDS

- Reliable**
 - European and American and Japanese made key components.
- Efficient**
 - Highly effective solar power utilisation and long battery life by intelligent designed charging module.
- User-friendly**
 - Intelligent man-machine interaction mode.

X-Hybrid Solar Inverter

MODEL	SK-TL3000	SK-TL3700	SK-TL5000
► Input (DC)			
Max. recommended DC power [W]	3300	4000	5000
Max. DC voltage[V]	550		
Nominal DC operating voltage[V]	360		
MPPT voltage range [V]	125-530		
Max. input current [A]	12/12	12/12	12/12
Max. short circuit current [A]	15/15	15/15	15/15
Number of MPP trackers	2	2	2
Strings per MPP tracker	1	1	1
► Output (AC)			
AC nominal power [W]	3000	3680	4600
Nominal AC voltage; range [V]	230VAC 50Hz; 180~270VAC		
AC nominal current [A]	13	16	20
Max. AC current [A]	14.4	16	22.1
Total harmonic distortion (THD)	<3%		
Power factor (rated power)	1		
Displacement Power Factor	0.9 overexcited...0.9 underexcited		
► Efficiency			
MPPT efficiency	99.9%	99.9%	99.9%
Euro-efficiency	97.0%	97.0%	97.0%
Max. efficiency	97.6%	97.6%	97.6%
Standby losses	<3W		
► Display			
LCD	Backlight 16*4 character		
Communication interfaces	Ethernet/Dry contact (WIFI standard)		
LED light	4		
Button	4		
► Others			
DC switch	Integrated		
Max No. of supported External expansion	4		
Operating temperature range [°C]	-20~+50 (derating at 40)		
Storage stability range [°C]	-20~+60		
Altitude [m]	<2000		
Cooling concept	Forced airflow		
Noise emission (typical) [dB]	<40		
Humidity [%]	0~90 (non-condensing)		
Degree of protection	IP20 (for indoor use)		
Overvoltage category	III (electric supply side), II (PV side)		
Three phase compensation	Yes		
EMC	IEC61000-6-1/2/3/4		
Topology	Transformer-less		
Warranty	Standard 5 years		
Dimensions (W / H / D) [mm]	484 x 595 x 168		
Weight [kg]	20		
Certificate	Germany, Australia,Belgium, Netherlands, Denmark, Austria		
Monitor	WIFI/Cable(Ethernet)		

X-Hybrid Battery Manager Unit

MODEL	SK-BMU1300	SK-BMU2500	SK-BMU5000
➤ Battery Manager			
Battery type	Lead-acid battery/lithium battery		
Battery nominal voltage [V]	48		
Charger expansion	support external expansion		
Max. charging current [A]	25~100 depend on No. of chargers		
Charging curve	3-stage adaptive with maintenance		
Over-current protection/Over-temperature protection	YES		
Communication interfaces	Can/RS232		
➤ Charge			
Max.power[W]	1300	2500	5000
Max.charge current[A]	25	50	100
Depth of discharge	80%(adjustable)		
➤ Discharge			
Max.power[W]	1300	2500	5000
Max.discharge current[A]	25	50	100
➤ Others			
Operating temperature range [°C]	-20~+50 (derating at 40)		
Storage stability range [°C]	-20~+60		
Altitude [m]	<2000		
Cooling concept	Forced airflow		
Noise emission (typical) [dB]	<40		
Humidity [%]	0~90 (non-condensing)		
Degree of protection	IP20 (for indoor use)		
EMC	IEC61000-6-1/2/3/4		
Warranty	Standard 5 years		
Dimensions (W / H / D) [mm]	295 x 595 x 168	350 x 514 x 168	450 x 514 x 168
Weight [kg]	12.4	15	18
Certificate	Germany, Australia,Belgium, Netherlands, Denmark, Austria, UK		
Protection	Fuse (Internal) 40A	80A	120A
Battery reverse polarity protection	Yes		
Battery anti-shock design	Yes		